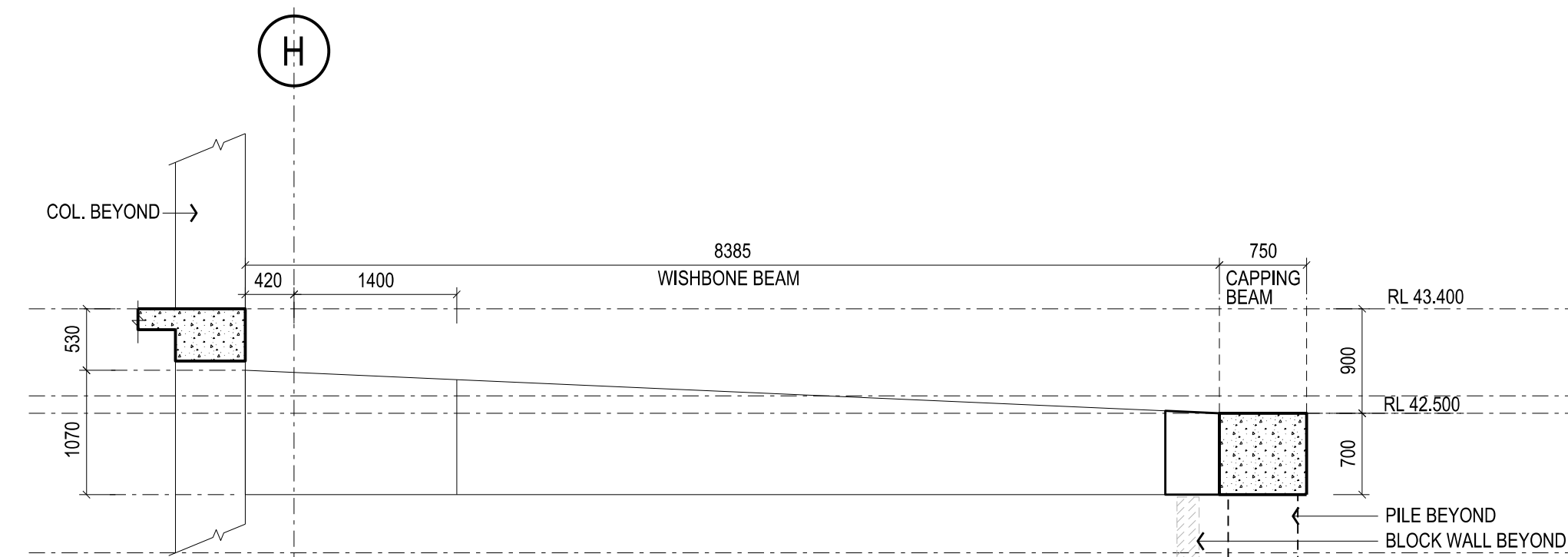
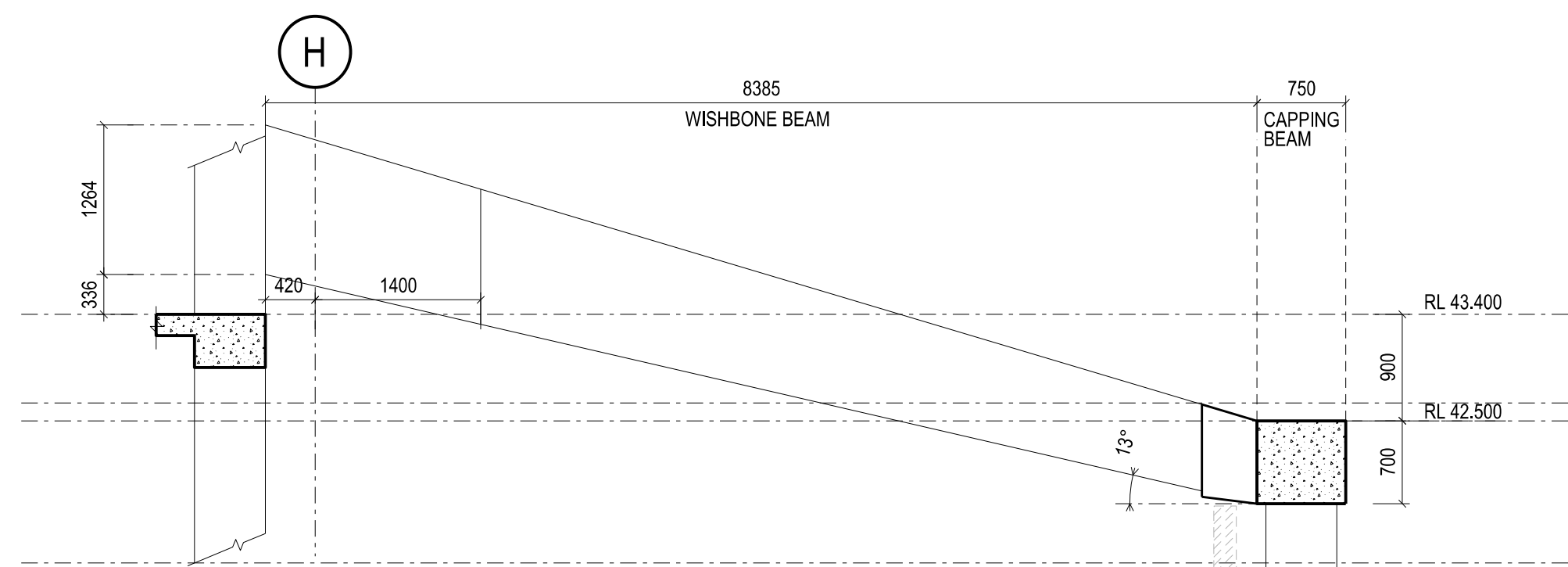


CONTRACTORS SHALL VERIFY DIMENSIONS BEFORE ANY JOB COMMENCES. ALL SHOP DRAWINGS SHALL BE SUBMITTED TO THE SUPERINTENDENT AND MANUFACTURER SHALL NOT COMMENCE PRIOR TO THE RETURN OF DIMENSIONS SHOP DRAWINGS REVIEWED BY THE CONSULTANT. FIGURED DIMENSIONS SHALL TAKE PRECEDENCE OVER SCALED. THIS DRAWING SHOULD BE READ IN CONJUNCTION WITH ALL RELEVANT CONTRACT SPECIFICATIONS AND DRAWINGS COPYRIGHT OF THIS DRAWING IS VESTED IN WARDLE.

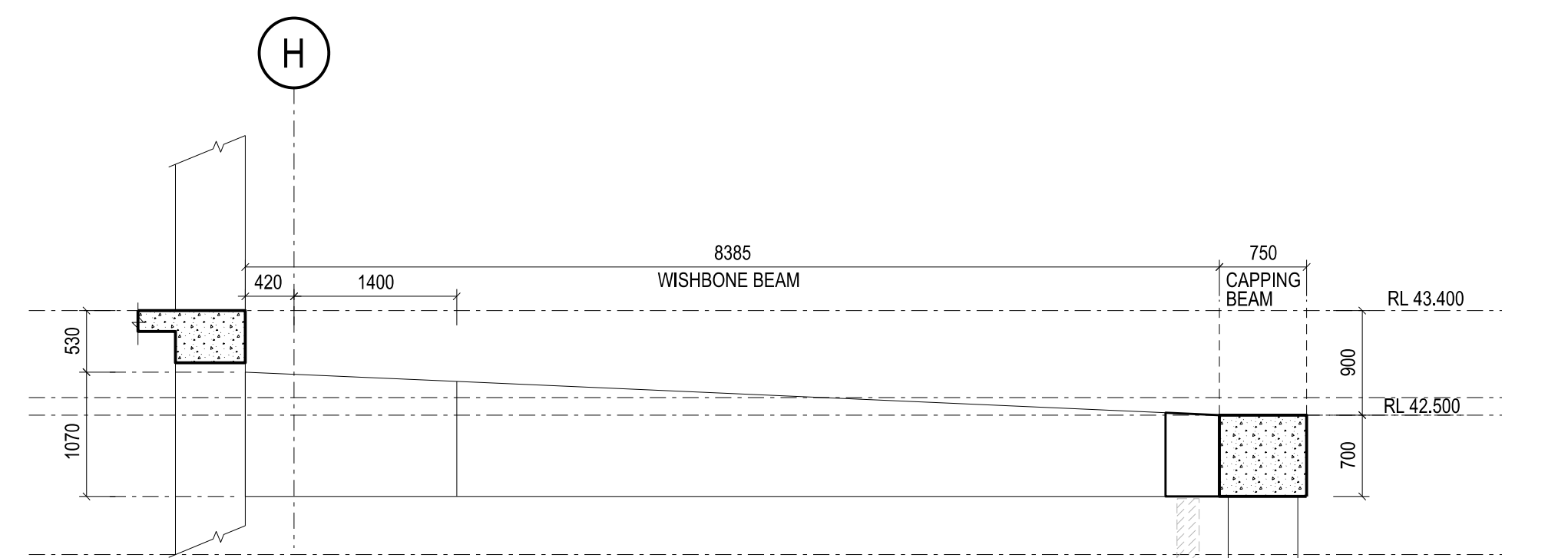
General Notes & Legend



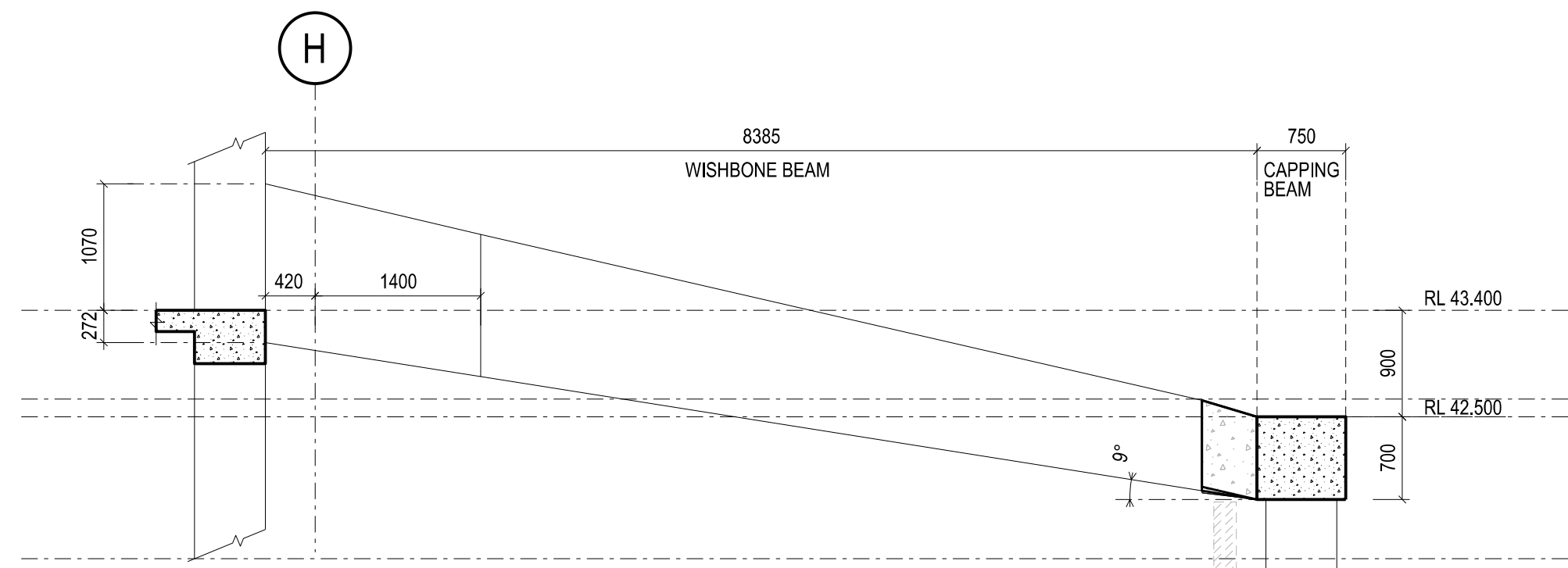
02 WISHBONE BEAM ELEVATION - GRID 5
SCALE 1:50



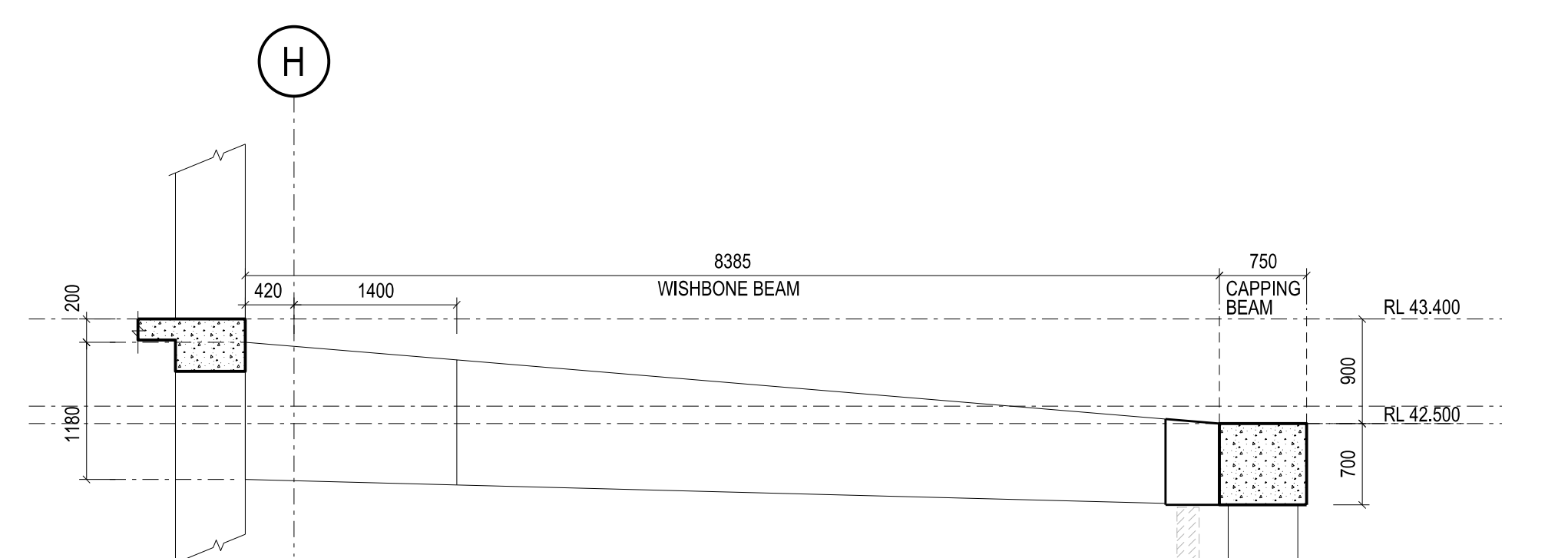
06 WISHBONE BEAM ELEVATION - GRID 9
SCALE 1:50



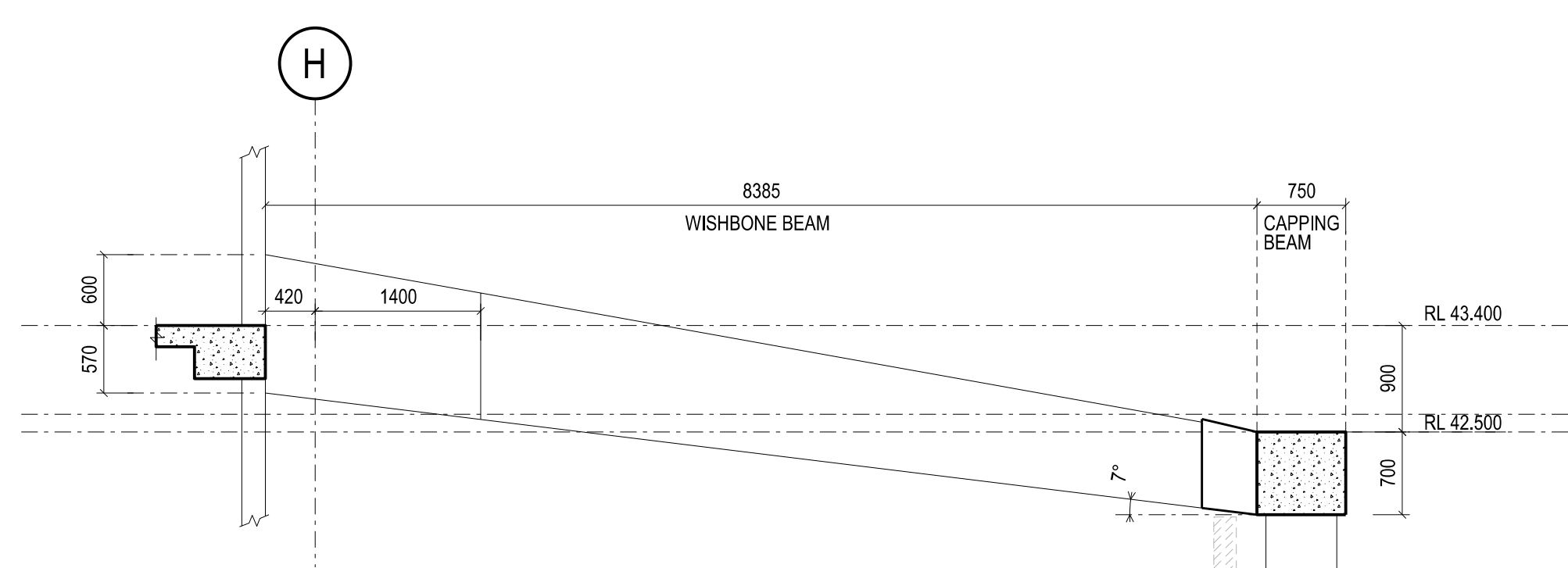
03 WISHBONE BEAM ELEVATION - GRID 6
SCALE 1:50



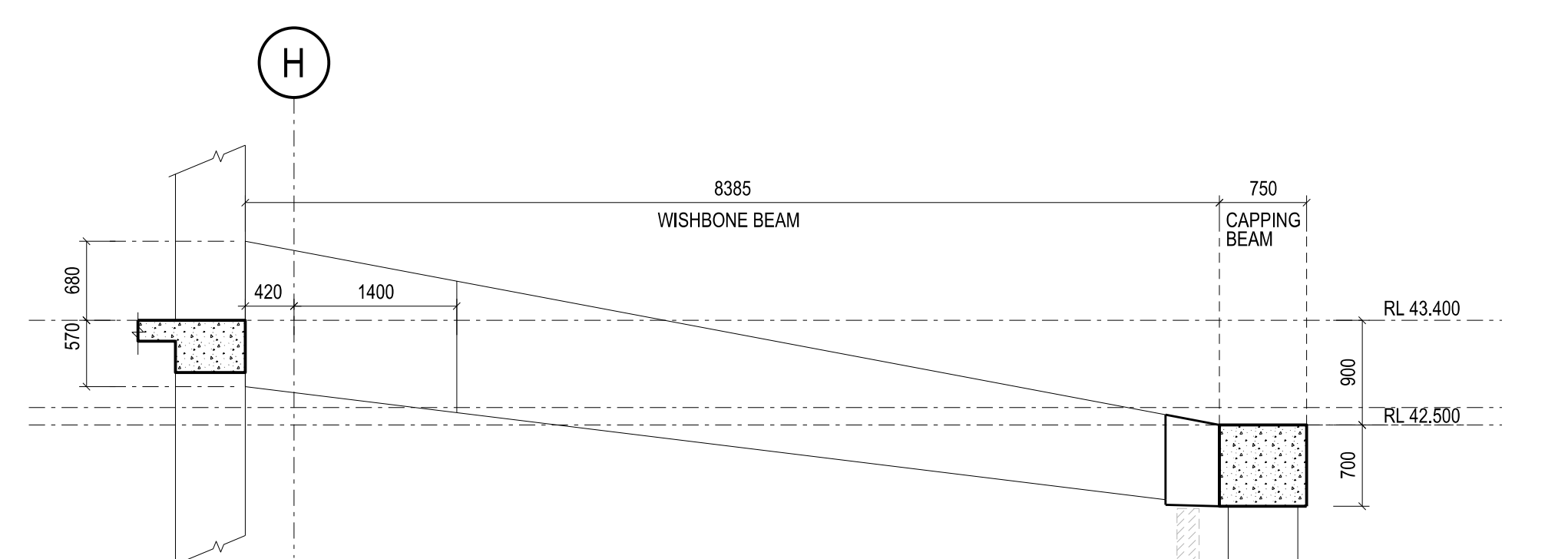
07 WISHBONE BEAM ELEVATION - GRID 10
SCALE 1:50



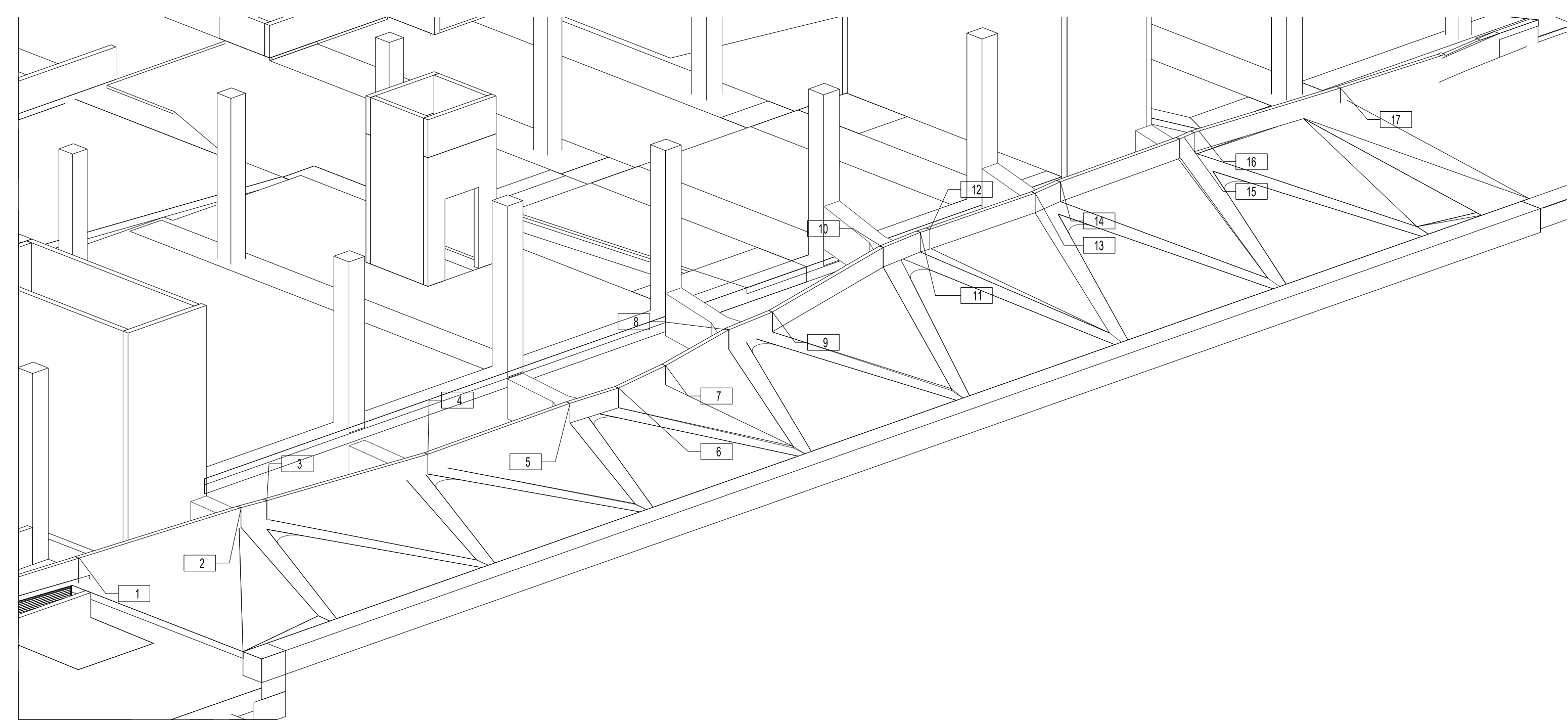
04 WISHBONE BEAM ELEVATION - GRID 7
SCALE 1:50



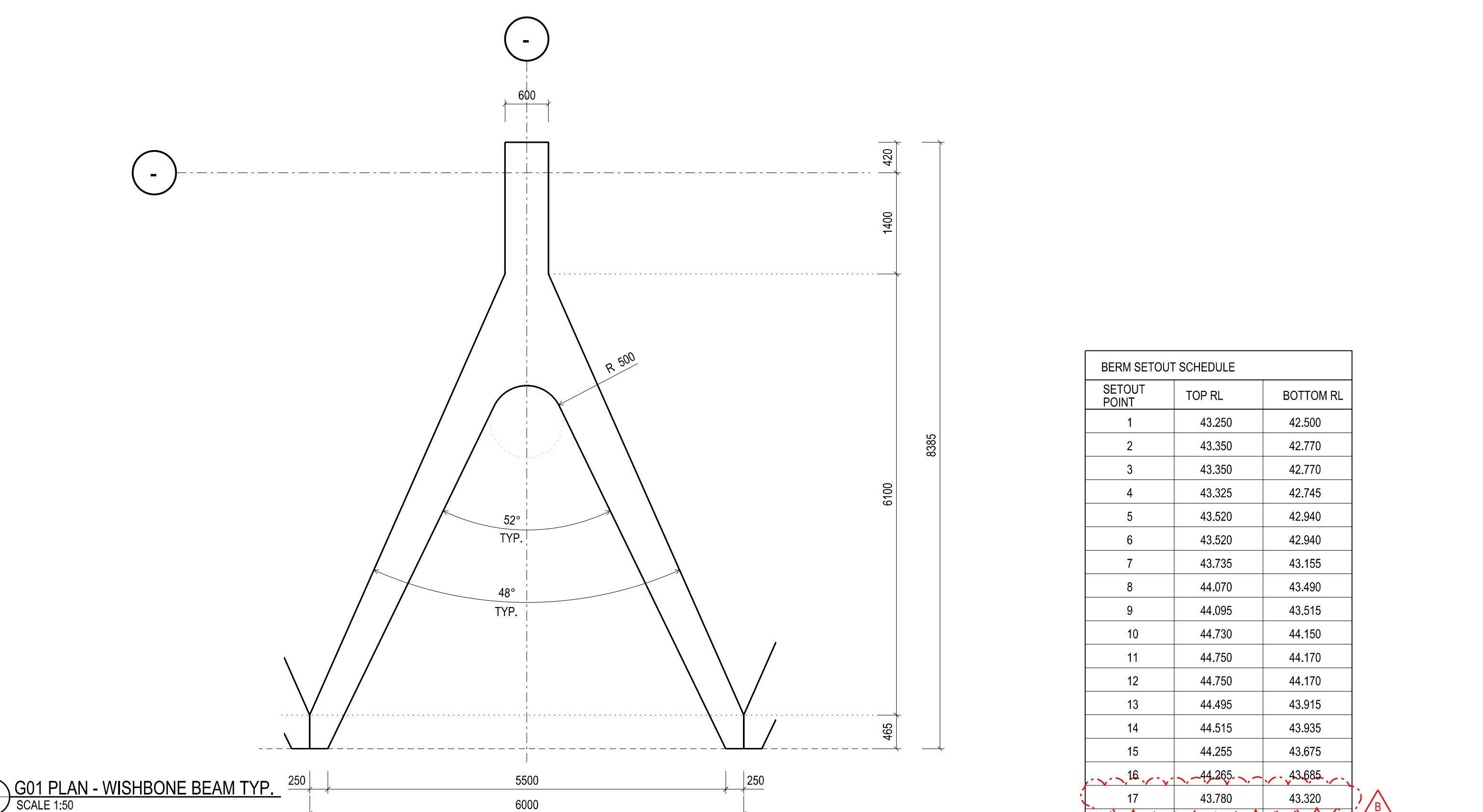
08 WISHBONE BEAM ELEVATION - GRID 11
SCALE 1:50



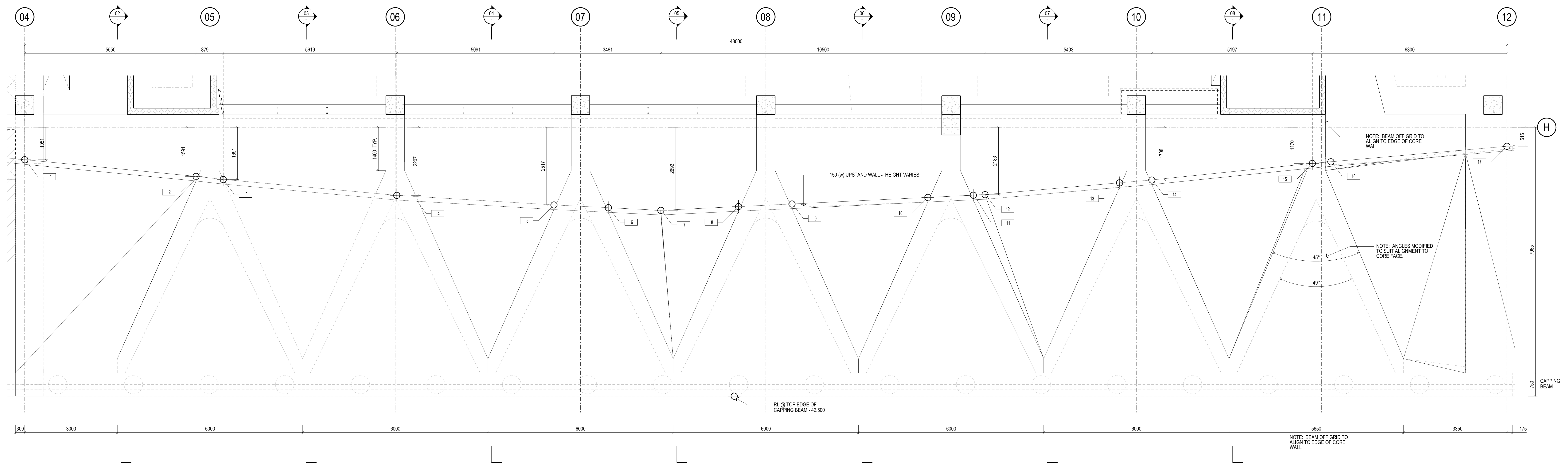
05 WISHBONE BEAM ELEVATION - GRID 8
SCALE 1:50



11 WISHBONE BEAMS & BERM - ISO
SCALE - NTS



10 G01 PLAN - WISHBONE BEAM TYP.
SCALE 1:50



01 G01 PLAN - WISHBONE BEAMS
SCALE 1:50



NADAAA
NADAAA
1520 Washington Street No.2 Boston Massachusetts 02118 USA
Telephone +1 617 442 2232 Facsimile +1 688 442 1417 Email nadaaa@nadaaa.com

John Wardle Architects
25 Rokeby Street, Collingwood, Victoria 3066 Australia
Tel: +61 3 8662 0400 www.johnwardlearchitects.com
© 2012 John Wardle Architects ABN 83 006 814 268

Client **University of Melbourne Parkville Campus**

Project **Faculty of Architecture Building and Planning**

Title **CONCRETE DETAILS WISHBONE BEAMS**

Project No. **0913** Scale 1:50 @ A0 1:25 @ A2
Drawing No. **AR4701** Revision **B**

Date Oct 2011 Drawn - Co-Ord - Check -

FILENAME - SFILES
FOR CONSTRUCTION